



SHOWER DRAINS

2020.



TOGETHER WE CREATE  
A PLACE WHERE YOU  
CAN RE-ENERGIZE



# ART OF MERGING .

N

## APZ15 Marble

Shower drain without edge  
with grid for embedding tiles





## THE CHARM OF DISCREET FUNCTIONALITY

**Beauty is often something you just will not see at the first sight. But only when you discover that it works perfectly.**

This also applies to our range of shower drains APZ15. While enjoying the beauty of your tiles, the shower water outflows reliably. Our shower drains are the hidden detail that can emphasize the individuality and complete the home interior exactly to your liking.

## BOTH SHOWER DRAIN AND GRID WITHOUT EDGE ■





# CONTENT.

12-25

## Linear shower drains Alca

Brings revolutionary solutions both in cleaning and in water flow volume.



8-11

## Grids for linear shower drains ALCA

They are made of top quality materials, that accentuate the innovative modern design.



22-25

## Shower drain Fit & Go

Thanks to two-sided grid DOUBLE you have a choice of grid design after the shower drain installation. Shower drain, grid and odour trap, all in one package.





# 26–29

## Plastic linear shower drains ALCAPLAST

They are easy to clean and made of materials that resist low temperatures and chemicals.



WE ARE INSPIRED  
BY YOUR DREAMS,  
NOW IT'S TIME  
TO FULFILL THEM



### Lets make it simple

We have prepared a QR code for each product for your convenience. To read the QR codes just download the application to your smart phone or tablet. Then scan the code to quickly reach the desired section of our website. Here you will find detailed descriptions and parameters of the selected product. No more trouble with searching for information. A smart way to get your information quickly and easily.

---

<b>Advantages of shower drains ALCA</b> .....	<b>6–7</b>
<b>Grids ALCA</b> .....	<b>8–11</b>
<b>Linear shower drains ALCA</b> .....	<b>12–29</b>
Shower drains APZ1, APZ4, APZ1BLACK, APZ6, APZ16 .....	<b>12–17</b>
Shower drain APZ15 .....	<b>18–19</b>
Waste system APZ5 .....	<b>20–21</b>
Shower drains APZ13, APZ23 .....	<b>22–25</b>
Plastic linear shower drains .....	<b>26–29</b>
Plastic linear shower drains with stainless steel edge .....	<b>28–29</b>
<b>Stainless steel floor drains</b> .....	<b>30–31</b>
<b>Specifications of linear shower drains ALCA</b> .....	<b>32–33</b>
<b>Shower drains ALCA overview</b> .....	<b>34–41</b>
Stainless steel shower drains for perforated grids .....	<b>34</b>
Stainless steel shower drains for full grids .....	<b>35</b>
Stainless steel shower drains APZ13, APZ23 .....	<b>36–37</b>
Plastic linear shower drains .....	<b>38–39</b>
Waste system APZ5 and Antivandal system .....	<b>40</b>
<b>Floor drains overview</b> .....	<b>41</b>
<b>Company Alcaplast</b> .....	<b>42–43</b>

---





Visit us on the Web

# CERTAINTY FOR YOUR CONVENIENCE. ■

## ADVANTAGES OF SHOWER DRAINS ALCA

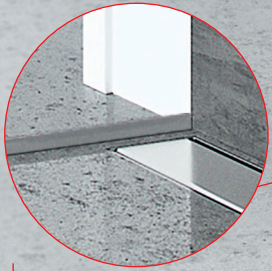
HIGH  
FLOW RATE  
OF WATER  
(to 68 l/min)

COMPLETELY  
CLEANABLE  
TRAP

LOW  
BUILD  
HEIGHT  
(55 mm)

**We are the market leader in shower drains in Europe. Best performance and products for every installation. Be confident when you choose shower drain ALCA.**





**APZ901M/1000**  
Stainless steel strip for sloping floors.  
Available in versions: left, right, two-sided.  
**Order together with the shower drain.**

**25**  
YEAR GUARANTEE



**APZ16 Wall + grid DESIGN**  
Shower drain with an edge for full grids and fixed vertical flange to the wall with full grid



GRIDS FOR LINEAR DRAINS

# BEAUTY HAS MANY FORMS. ■











**25**  
YEAR GUARANTEE








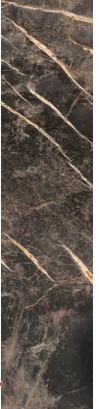


**APZ6 Professional + grid POSH**  
Stainless steel shower drain  
with full grid



# Grids for linear shower drains ALCA

	<b>LINE</b> stainless steel-polished/matt	<b>PURE</b> stainless steel-polished/matt	<b>PURE BLACK</b> black-matt	<b>BUBLE</b> stainless steel-polished/matt	<b>HOPE</b> stainless steel-polished/matt	<b>DREAM</b> stainless steel-polished/matt	<b>CUBE</b> stainless steel-polished/matt	<b>SMILE</b> stainless steel-polished/matt
<b>PERFORATED GRIDS</b>								
<b>STAINLESS STEEL</b>	APZ1 APZ101 APZ1001 APZ1101 APZ4 APZ104 APZ1004 APZ1104 APZ2001	APZ1 APZ101 APZ1001 APZ1101 APZ4 APZ104 APZ1004 APZ1104 APZ2001	APZ1BLACK APZ101BLACK	APZ1 APZ101 APZ1001 APZ1101 APZ4 APZ104 APZ1004 APZ1104 APZ2001 APZ11 APZ111 APZ1011 APZ1111	APZ1 APZ101 APZ1001 APZ1101 APZ4 APZ104 APZ1004 APZ1104 APZ2001	APZ1 APZ101 APZ1001 APZ1101 APZ4 APZ104 APZ1004 APZ1104 APZ2001	APZ1 APZ101 APZ1001 APZ1101 APZ4 APZ104 APZ1004 APZ1104 APZ2001	APZ13 APZ23
<b>PLASTIC</b>	APZ12 APZ2012 APZ22 APZ2022	APZ12 APZ2012 APZ22 APZ2022		APZ12 APZ2012 APZ22 APZ2022	APZ12 APZ2012 APZ22 APZ2022	APZ12 APZ2012 APZ22 APZ2022	APZ12 APZ2012 APZ22 APZ2022	

	<b>GL1200</b> glass-white	<b>GL1202</b> glass-green	<b>GL1204</b> glass-black	<b>DESIGN SPACE</b> stainless steel-matt	<b>POSH SOLID</b> stainless steel-matt	<b>DESIGN-ANTIC</b> bronze-antic	<b>FLOOR INSERT TILE</b> for embedding tiles	<b>APZ15</b> for embedding tiles
<b>FULL GRIDS</b>								
<b>STAINLESS STEEL</b>	APZ6 APZ106 APZ1006 APZ1106 APZ16 APZ116 APZ1016 APZ1116	APZ6 APZ106 APZ1006 APZ1106 APZ16 APZ116 APZ1016 APZ1116	APZ6 APZ106 APZ1006 APZ1106 APZ16 APZ116 APZ1016 APZ1116	<b>DESIGN</b> APZ6 APZ106 APZ1006 APZ1106 APZ16 APZ116 APZ1016 APZ1116  <b>SPACE</b> APZ13 APZ23	APZ6 APZ106 APZ1006 APZ1106 APZ16 APZ116 APZ1016 APZ1116	APZ6 APZ106 APZ1006 APZ1106 APZ16 APZ116 APZ1016 APZ1116	<b>FLOOR</b> APZ6 APZ106 APZ1006 APZ1106 APZ16 APZ116 APZ1016 APZ1116  <b>INSERT</b> APZ13 APZ23	APZ15 APZ115
<b>PLASTIC</b>				<b>SOLID</b> APZ12 APZ2012 APZ22 APZ2022			<b>TILE</b> APZ12 APZ2012 APZ22 APZ2022	



**CODE**  
stainless steel-  
polished/matt



APZ13  
APZ23

**ROUTE**  
stainless steel-  
polished/matt



APZ13  
APZ23

APZ18

**ZIP**  
stainless steel-  
polished/matt



APZ13  
APZ23

**APZ8**  
stainless steel-  
matt



APZ8

**APZ9**  
stainless steel-  
matt



APZ8

**APZ10**  
stainless steel-  
matt



APZ10

**GAP**  
stainless steel-  
matt



PRISMATIC GRIDS

APZ6  
APZ106  
APZ1006  
APZ1106  
APZ16  
APZ116  
APZ1016  
APZ1116

**STREAM**  
stainless steel-  
matt



APZ13  
APZ23

**DOUBLE**  
stainless steel-matt/  
for embedding tiles



TWO-SIDED GRID

APZ13 FIT AND GO  
APZ23 FIT AND GO

**APZ5-EDEN**  
stainless steel-  
polished



COVERS APZ5

APZ5-EDEN

**APZ5-SHADE**  
stainless steel  
matt



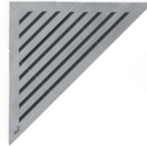
APZ5-SHADE

**APZ5-TWIN**  
for embedding tiles

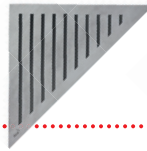


APZ5-TWIN

**LIFE**  
stainless steel-  
matt



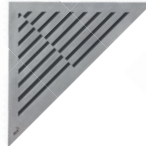
**GRACE**  
stainless steel-  
matt



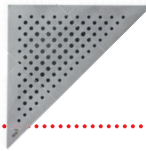
GRIDS ARZ1

ARZ1

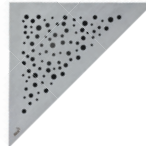
**TIME**  
stainless steel-  
matt



**TRITON**  
stainless steel-  
matt



**VIEW**  
stainless steel-  
matt







# ALMOST INFINITE PALETTE OF POSSIBILITIES



## Wide range of grids

Whether you let the grid stand out or whether you are a lover of minimalism and want the grid to be optically linked to the floor tiles, it's up to you. We offer a wide selection of interesting grids in various designs and materials. Let yourself be inspired..



## Perforated grids

Perforated ALCA grids are based on playful variations of geometric shapes. So you can easily choose the right one according to your taste. They are available in high gloss or brushed matt. The standard version is made of stainless steel with the option of even higher grades for aggressive environments such as swimming pools.

## Full grids

The base of the grid consists of a U-profile made of stainless steel. On this U-Profile we can attach a solid plate of stainless steel, tempered glass, brass or artificial stone. With this wide range of surface options available, the full ALCA grid becomes a jewel of your bathroom.



## Grids for embedding tiles

Stainless steel grids are finished with a rough surface, which is designed for easy gluing tiles or waterproof wood.

## Grid without edge for embedding tiles

We introduce the new stainless steel grid without edge for embedding tiles APZ15. This grid then becomes part of the tiling and fully merges with the rest of the bathroom.



## Prismatic grid

This solid stainless steel prismatic grid offers a novel alternative. The distinctive design stands out from the norm to become a true feature of your bathroom.

## Two-sided grid DOUBLE

The grid DOUBLE gives the choice – either full stainless steel grid in the design SPACE or by simply rotating the grid INSERT for embedding tiles. You can make the final decision even after installation of the shower drain without any construction modifications. Two-sided grid DOUBLE offers both grid versions in one.





Stainless steel shower drains

SHOWER DRAIN  
FOR PERFORATED GRID

# FAVORITE SHOWER DRAIN.

**25**  
YEAR GUARANTEE

**60**  
LITRES/MIN



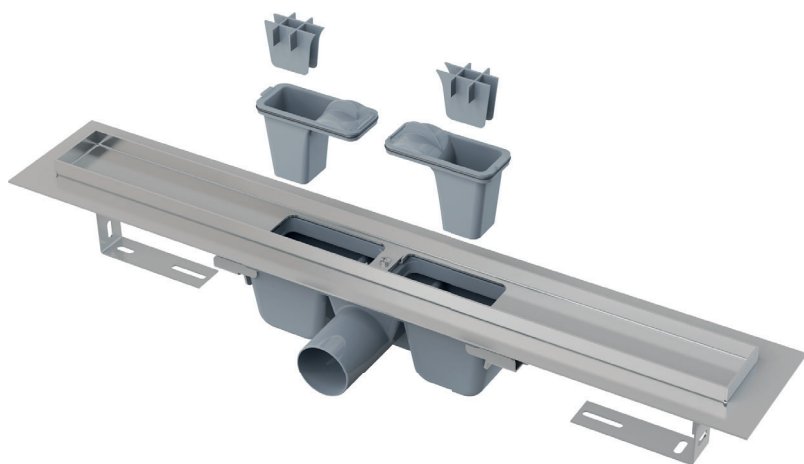
**APZ1 + grid LINE**  
Stainless steel shower drain  
with perforated grid

## Variants of stainless steel shower drains for perforated grids

APZ1  
APZ101 Low  
APZ1001  
APZ1101 Low  
APZ4 Flexible  
APZ104 Flexible Low  
APZ1004 Flexible  
APZ1104 Flexible Low  
APZ2001

see p. 34



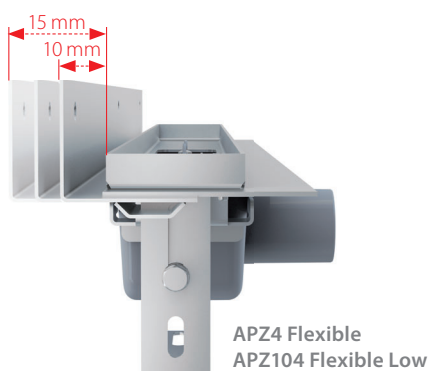
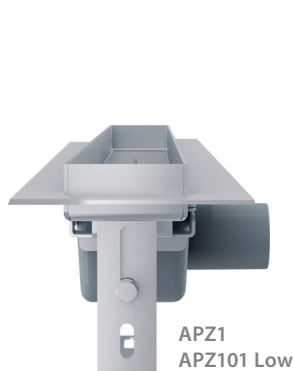
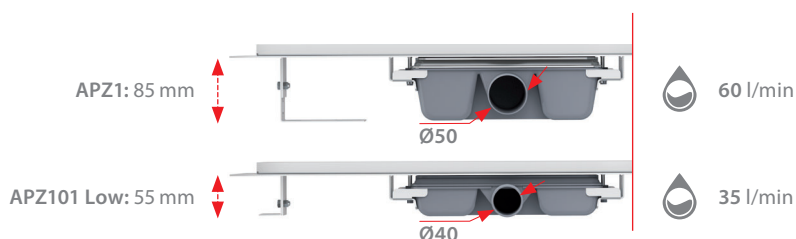


## RELIABLE CHOICE MEETS ALL YOUR REQUIREMENTS



### Shower drain APZ1 for perforated grids

Our designers have developed shower drains ALCA in various types, allowing a perfect fit into diverse bathroom styles. Delivering even more individuality to its owners. Stainless steel shower drain ALCA uses two drain outlet chambers with removable strainers. The lowest installation height for ALCA drains is from 55 mm to 85 mm. Height 55 mm is suitable for house renovations. Height 85 mm is ideal for new buildings.



Example of perforated grid



### A variant to the wall APZ4 Flexible

Linear drains APZ4, APZ104 Low, APZ1004 and APZ1104 Low are designed to be installed directly to the wall of the shower enclosure. The vertical water-proofing flange can be adjusted to suit wall tiles 6–12 mm in thickness. This eliminates the need to compensate for any differences in tile thickness with adhesive. Unlike other shower drains, the Flexible drain is attached to the wall using a vertical flange. It is then covered with a waterproofing tape and wall tiles. This ensures a higher degree of water-proofing. Grading the floor towards the wall is also easier.







Stainless steel shower drains

SHOWER DRAIN  
FOR PERFORATED GRID BLACK-MATT

# PURE BLACK.

**25**  
YEAR GUARANTEE

↓  
**APZ1BLACK + grid PURE BLACK**

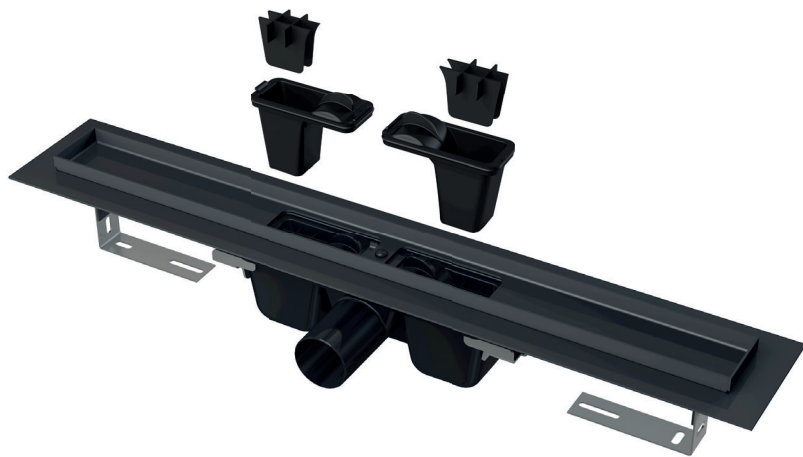
Stainless steel shower drain  
in black-matt finish with perforated grid

**Variants of stainless  
steel shower drains  
black-matt**

APZ1BLACK  
APZ101BLACK Low

see p. 34



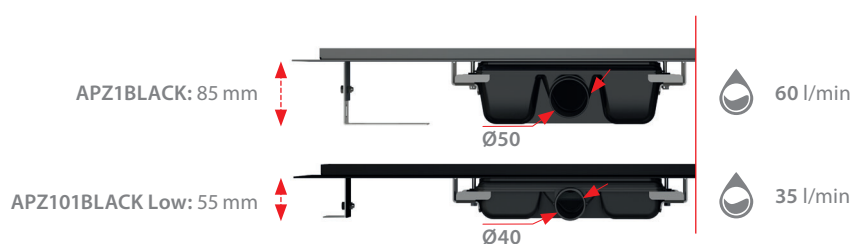


## BLACK-MATT WILL HIGHLIGHT THE NEW LOOK OF YOUR BATHROOM



### Shower drain APZ1BLACK in black-matt finish

Our linear shower drains APZ1 and APZ101 are now available in the modern black-matt finish, supplemented by PURE BLACK grid. We always think about details, that is why the odour trap is black too. It merges fully with the grid and the shower drain.



# BLACK

STYLISH FOREVER ■



### Comprehensive black-matt program

Black-matt program includes a number of other products:

- flush plates (M278, M578, M678, M778)
- bath traps (A55BLACK, A507BLACK, A564BLACK)
- shower traps (A465BLACK-50, A49BLACK)
- wash-basin traps (A400BLACK, A4320BLACK, A392BLACK, A4000BLACK)
- angle valve (ARV001-BLACK, ARV003-BLACK)



[www.alcaplast.com/en/  
program-black-matt](http://www.alcaplast.com/en/program-black-matt)







Stainless steel shower drains

SHOWER DRAIN  
FOR FULL GRID

# ENDLESS POSSIBILITIES.



**APZ6 Professional**  
**+ grid GL1204 + APZ903M/1200**

Stainless steel shower drain with full glass grid  
and stainless steel strip for sloped floor

### Variants of stainless steel shower drains for full grids

APZ6 Professional  
APZ106 Professional Low  
APZ1006 Professional  
APZ1106 Professional Low  
APZ16 Wall  
APZ116 Wall Low  
APZ1016 Wall  
APZ1116 Wall Low

see p. 35



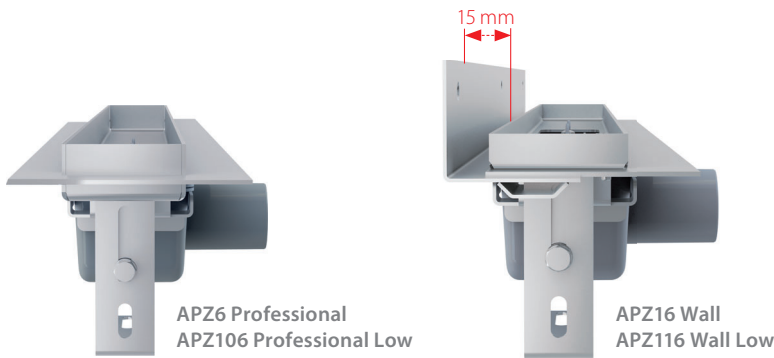
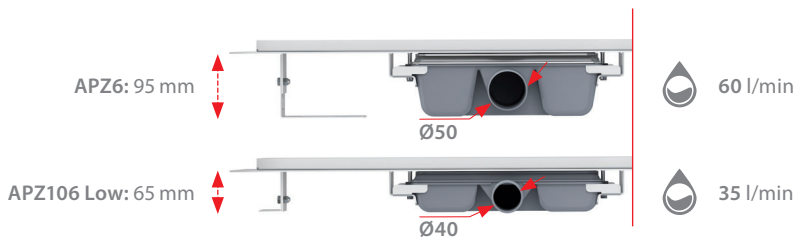


## CHOICE OF 8 GRIDS



### Shower drain APZ6 for full grids

As an alternative to perforated grids we offer a range of grid designs made of glass, heavy duty stainless steel prismatic grid or the popular grid for embedding tiles. They are designed for shower drains APZ6 or APZ16 Wall with fixed vertical flange to the wall.



Full grid



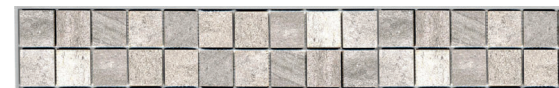
Prismatic grid



Glass grid



Grid for embedding tiles



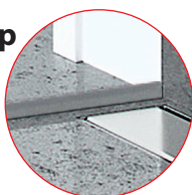
### A variant to the wall APZ16 Wall

Linear shower drain APZ16 Wall combines the benefits of the linear drain APZ6 for full grids and vertical fixed flange to the wall. The vertical flange with a fixed distance of 15 mm from the shower drain body edge can suit wall tiles 6-12 mm in thickness.



### Stainless steel strip for sloping floors

Available in versions: left, right, two-sided.



### APZ16 Wall + grid FLOOR

Stainless steel shower drain with fixed flange to the wall, with a grid for embedding tiles






Stainless steel shower drains

SHOWER DRAIN WITHOUT EDGE  
WITH GRID FOR EMBEDDING TILES

# MERGES INTO ONE SURFACE. ■

**25**  
YEAR GUARANTEE

  
NEW

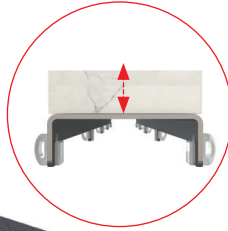
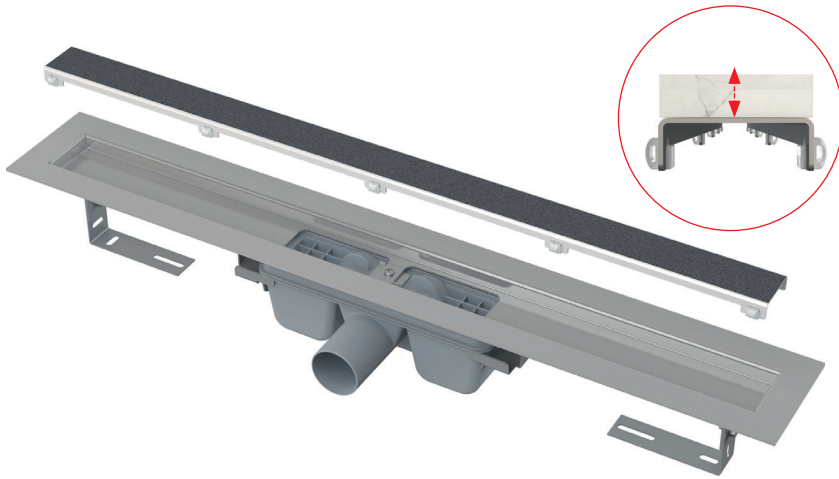
↓  
**APZ15 Marble**  
Shower drain without edge  
with grid for embedding tiles

**Variants of stainless  
steel shower drains  
without edge**

APZ15 Marble  
APZ115 Marble Low

see p. 35





## BOTH SHOWER DRAIN AND GRID WITHOUT EDGE



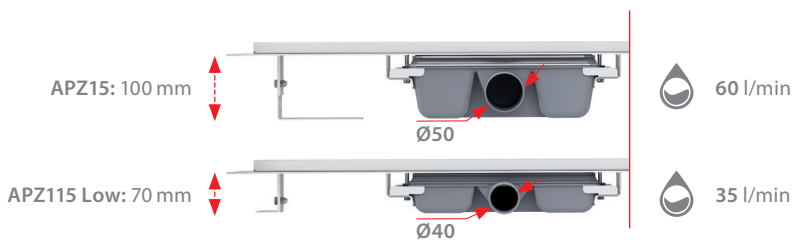
### Shower drain without edge APZ15 and grid for embedding tiles

The new generation of stainless steel shower drains APZ15 is produced especially for design focused installations. The water is drained by two slots in the floor of the bathroom that hides the stainless steel shower drain. The overall finish is not interrupted by the edge of the grid.



### Possibility of atypical lengths

Dimensions up to 2200 mm made in one piece.



# MARBLE

## TOUCH OF LUXURY.

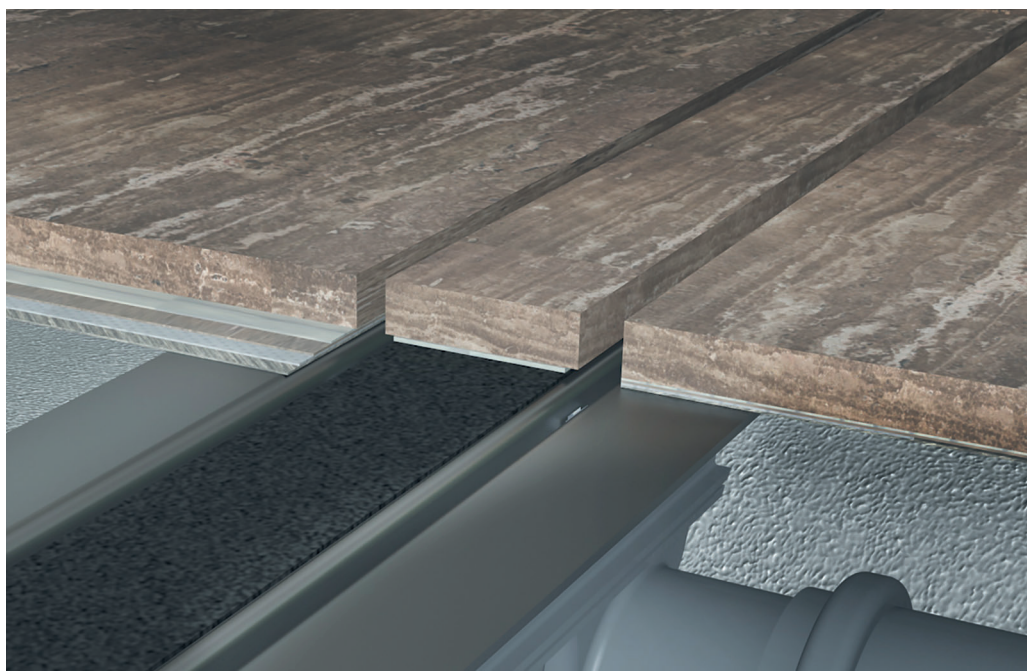


### Pure design lines

We think that the great inventions may not be pompous. All the sophisticated and complex technical solutions remain hidden and all that is visible is simple and beautiful. Grid for embedding tiles is brilliant in its simplicity. It naturally merges with its surroundings.



ALL IN PACKAGE







Waste systems

WASTE SYSTEM  
FOR INSTALLATION IN WALL

# PURE LINES.

**25**  
YEAR GUARANTEE



**APZ5 Spa + cover SHADE**

Stainless steel waste system  
for installation in wall with full cover  
Installation depth: 64 mm

## Variants of waste systems

APZ5-EDEN Spa  
APZ5-SHADE Spa  
APZ5-TWIN Spa

see p. 40



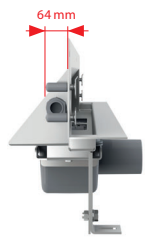


# EXCEPTIONAL SOLUTION THAT WILL LIGHT UP EVERY SPACE

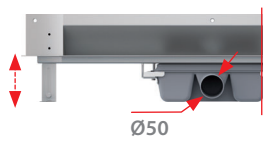
↓

## Waste system for installation in walls

The system is particularly suitable for areas with greater frequency of use, such as swimming pools, spas and wellness centers. The cover panel can be chosen in a gloss or matt finish, or it can be embedded with tiles that blend perfectly with your shower. Water flows into the drain only between the edge of the floor tiles and the cover of the drain system.



APZ5: 100 mm



↓

### APZ5-EDEN Spa

Cover stainless steel-polished



↓

### APZ5-SHADE Spa

Cover stainless steel-matt



↓

### APZ5-TWIN Spa

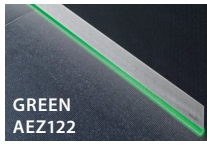
Cover for embedding tiles



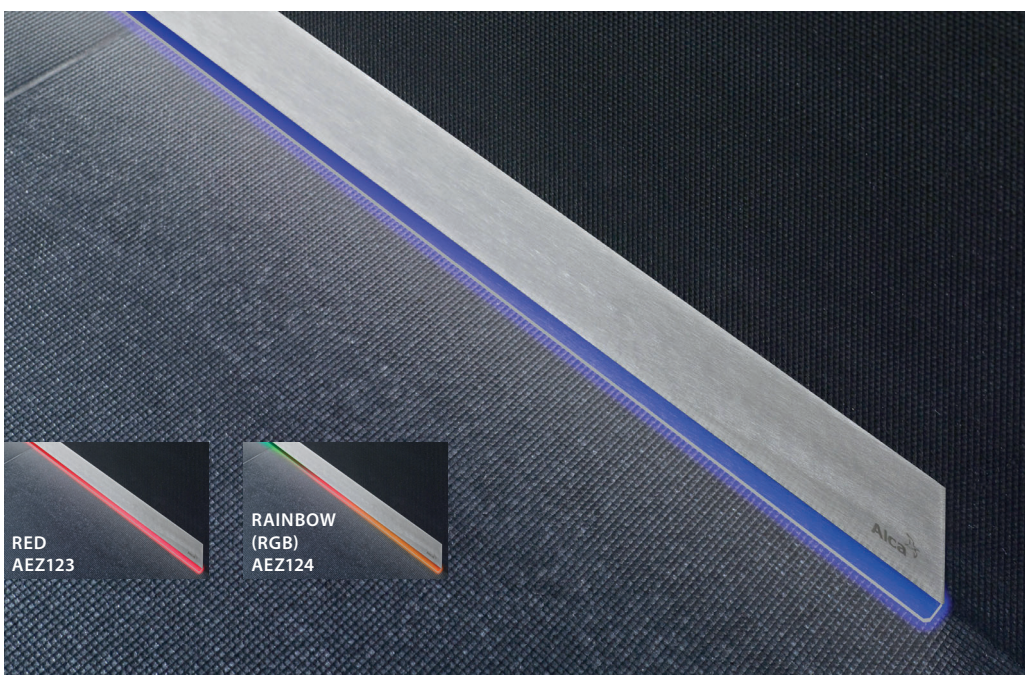
↓

## Drain ALCA LIGHT with lighting

ALCA LIGHT is a LED illuminated waste system APZ5 Spa. It brings pleasant subdued lighting that enhances the function and design of your bathroom.



Available in colours: white, green, red, rainbow and blue





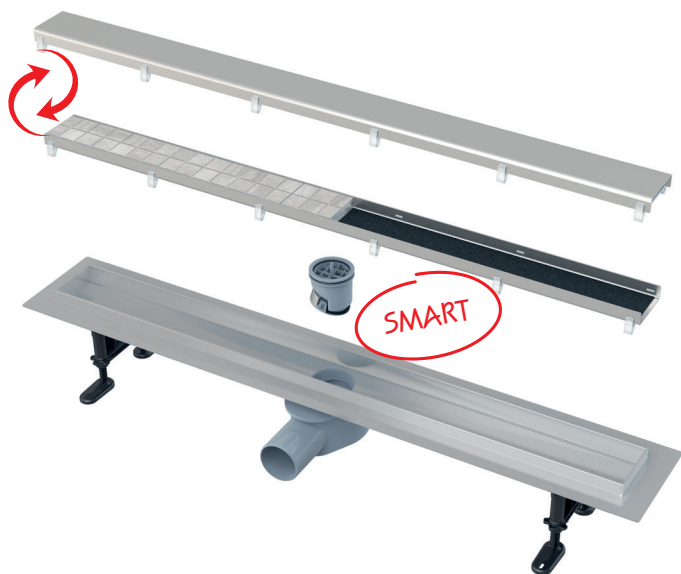
# FIT AND GO ■

The Alca logo features a stylized bird icon above the brand name "Alca" in a bold, sans-serif font. The logo is positioned on the lower-left corner of the stainless steel shower drain.

## **APZ13-DOUBE9 Fit and Go + grid DOUBLE**

Stainless steel shower drain  
with two-sided grid





## ONE GRID OFFERING TWO POSSIBILITIES OF USE

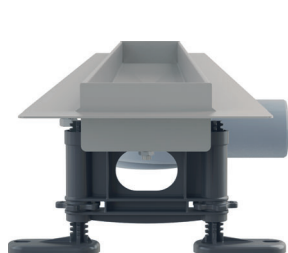


### Shower drain APZ13-DOUBLE9 Fit and Go

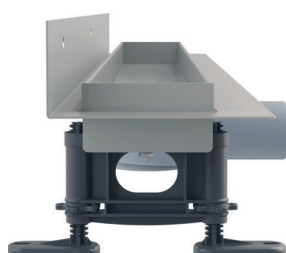
Thanks to double-sided grid DOUBLE offers the choice of grid design even after the shower drain installation - you can choose between full stainless steel grid and grid for embedding tiles.



#### Two-sided grid DOUBLE



APZ13-DOUBLE9 Fit and Go



APZ23-DOUBLE9 Fit and Go Wall

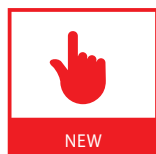


ALL IN PACKAGE



### A variant of the wall APZ23-DOUBLE9 Fit and Go Wall

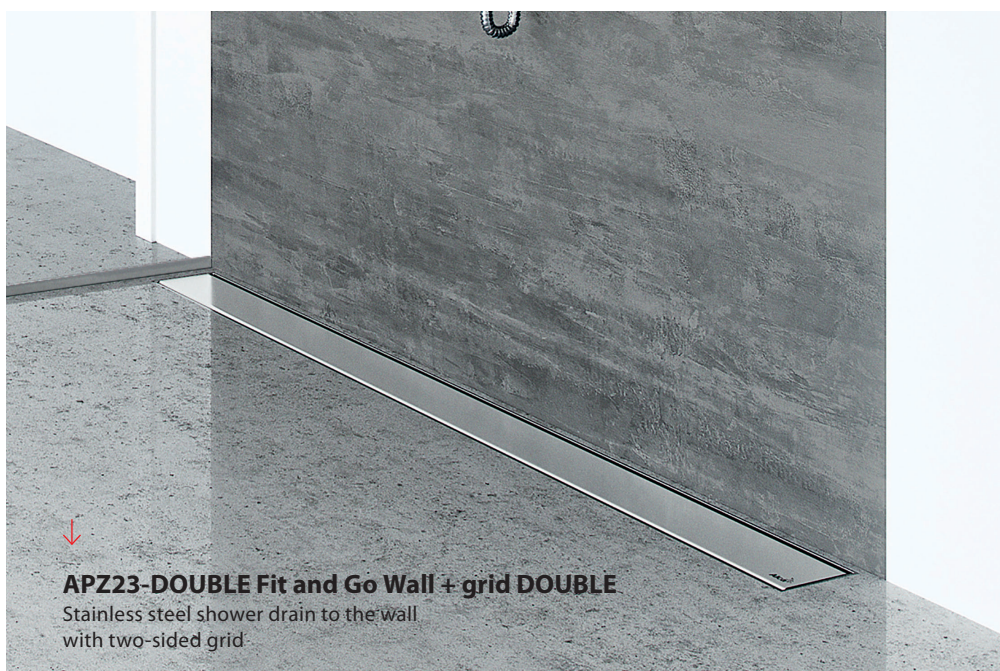
Recently we have added a version with a fixed vertical flange for placement to the wall.



NEW



ALL IN PACKAGE



### APZ23-DOUBLE9 Fit and Go Wall + grid DOUBLE

Stainless steel shower drain to the wall with two-sided grid





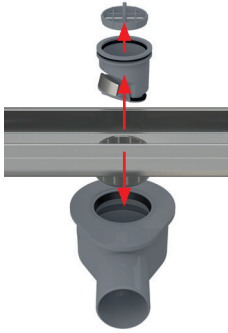
### Adjustable drain height

Individually adjustable anchor legs ensure trouble free installation, even when faced with significant unevenness of the underlying surface.



### Combined odour traps

The new combined odour traps for shower drain APZ13 protect against the penetration of odours from the sewer even after drying of the water in the trap.



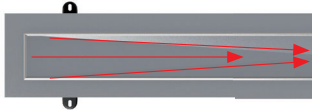
### Cleanable odour trap

The water odour trap is fitted with a screen that catches hair and other debris. Moreover, the screen is easily removable for trap cleaning without the use of chemicals. Removal of the screen permits the use of standard tools for clearing obstructed pipes.



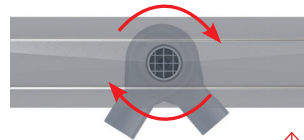
### One piece construction with smooth finish

The body of shower drain ALCA is precisely rounded and surface finished using the latest technology designed, developed and built by ALCA engineers. Form, finish and design enhance the users overall shower experience.



### Sloping inner gradient

We have introduced a gradient toward the outflow. This ensures maximum water flow rate and simplifies manual cleaning.



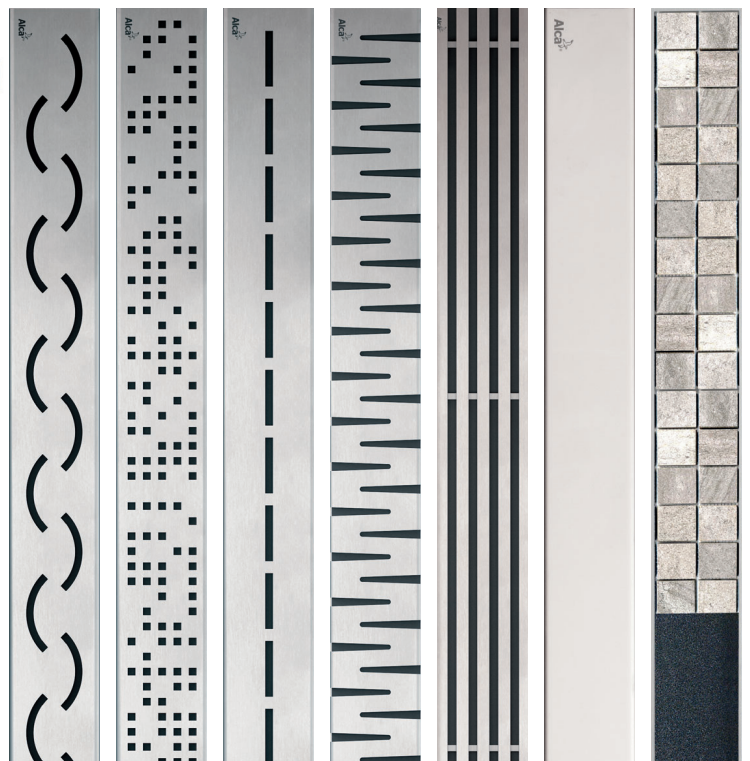
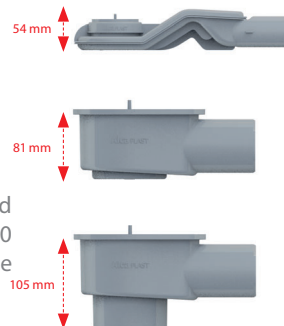
### Rotatable trap

Horizontal rotary trap provides unlimited possibilities for drain pipe connection in all directions. In addition, you do not need any other add-on fittings during the installation.



## Modular system

Introducing APZ13 Modular and APZ23 Modular Wall. The set consists of three basic components, which are the shower drain body, the odour trap and the grid. The shower drain body is made of one piece of stainless steel with in built gradient, and you can choose three lengths – 750, 850 and 950 mm. The odour trap is rotatable and we offer three height variants. The main difference is in the construction height and the associated flow rate. The high odour trap with a flow rate 58 l/min is ideal for new buildings and wherever there is sufficient space. The low and extra-low profiles are determined for the places where it is needed to save space. You can choose from perforated grids or full grids, grids for embedding tiles and prismatic grids.



More information on page 37.





# REAL LUXURY IS A POSSIBILITY OF CHOICE ■

## **What is the real innovation?**

**In principle it is something that will simplify the work and bring more comfort. We follow this motto exactly when developing the design and technology of our products.**

We are pleased that thanks to this approach some of our products have already become bestsellers and we believe that the novel – shower drain Fit and Go – will join them.

This is for two reasons.

It is a comprehensive solution that includes everything you need, and as a plus leaves you the choice of the grid design until the last moment, to finish the appearance of your bathroom.







Plastic shower drains

PLASTIC LINEAR SHOWER DRAIN

# AFFORDABLE STYLE.



Alca®



**APZ12 Optimal + grid CUBE**  
Shower drain with perforated grid

## Variants of plastic shower drains

APZ8 Simple  
APZ9 Simple  
APZ10 Simple  
APZ12 Optimal

see p. 38–39





# EACH SPACE DESERVES A FUNCTIONAL SOLUTION



## Plastic linear shower drains

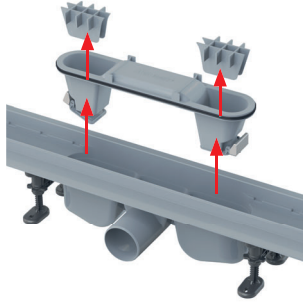
They are made of highly durable plastic that resists frost and chemicals. All have a combined odour trap that protects against the penetration of odours from the sewer even after drying of the water in the trap or double compartment trap with high water flow rate (APZ12). For easy cleaning the trap can be completely disassembled up to the waste pipe.



APZ8 / APZ9 / APZ10: 62 mm  
30 l/min



APZ12: 85 mm  
63 l/min



## Shower drains Simple APZ8, APZ9 and APZ10

The basic model of plastic shower drain series features low building height of 62 mm which is particularly suitable for reconstructions and other builds, where there is a problem with a lack of space in the floor.



Grid APZ8 Simple



Grid APZ9 Simple



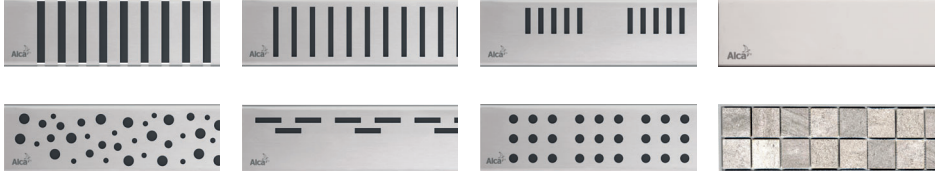
Grid APZ10 Simple



## Shower drain APZ12 Optimal

Shower drain suitable as an economical solution to projects and other places where it is required to comply with different standards. It has a sloped inner gradient and a double compartment odour trap with a simple cleaning ability and flow rate upto 63 l/min. We guarantee you that your bathroom will not be flooded even if installing large format shower head with high water flow. We offer perforated grids, full grids or grids for embedding tiles or water-resistant wood, they are not included in the package.

Grids for APZ12 Optimal







Plastic shower drains

PLASTIC LINEAR SHOWER DRAIN  
WITH A STAINLESS STEEL EDGE

# HARMONIZED LOOK. ■



## APZ18 Simple

Shower drain with a stainless steel edge and perforated grid

### Variants of plastic shower drains with stainless steel edge

APZ18 Simple  
APZ22 Optimal  
APZ2022 Optimal

see p. 38–39



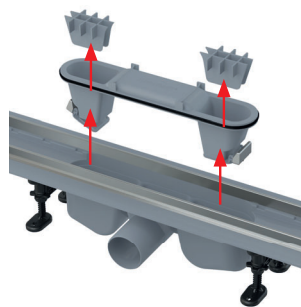
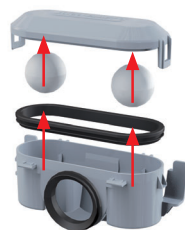


## THE ECONOMIC VARIANT 2 IN 1 FOR THE PERFECT LOOK



### Plastic linear shower drains with stainless steel edge

The optimal price quality ratio present an economical solution in segment of shower drains. The grid and the edge of plastic shower drain are made of high quality stainless steel. Other plastic parts of the shower drain and odour trap remain hidden in the floor.



### Shower drain APZ18 Simple with stainless steel edge

Due to the low installation height of 62 mm Plastic shower drain APZ18 is particularly suitable for the reconstruction of residential buildings. They are made of highly durable plastic that resists frost and chemicals.



**ALL IN PACKAGE**

Grid APZ18 Simple



### Shower drain APZ22 Optimal with stainless steel edge

Shower drain APZ22 is based on a standard drain APZ12 but it is complemented by a stainless steel edge. The plastic shower drain edge is completely covered by stainless steel. Shower drain APZ22 represents the best choice in plastic drains. It combines a perfect look, superior parameters and a wide selection of grids.

Grids for APZ22 Optimal







Floor drains

STAINLESS STEEL FLOOR DRAIN

# BEAUTY ENDURES.

**25**  
YEAR GUARANTEE

↓  
**APV110**

**+ grid MPV013**

Floor drain stainless steel extra-low with full grid

## Variants of stainless steel floor drains

APV110

APV120

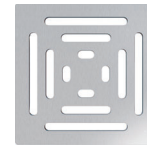
APV130

see p. 41





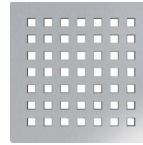
MPV011



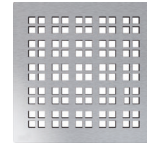
MPV012



MPV013



MPV014



MPV015

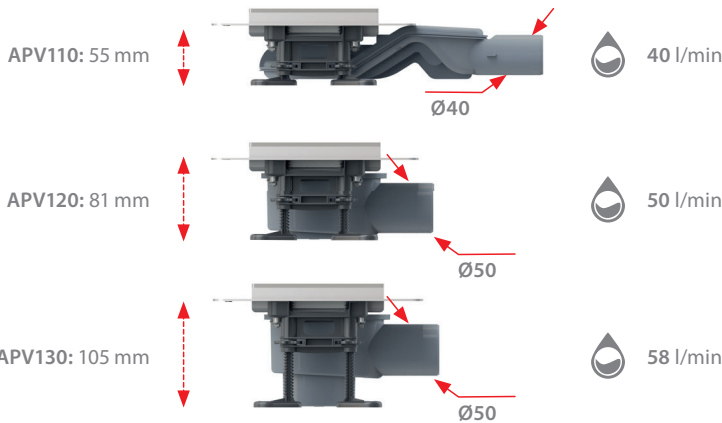


MPV016



### Pinnacle of floor drain design

This new model of indoor drainage system was created as an alternative to our classic stainless steel shower drains. It gives customers another interesting option of bathroom drainage, while maintaining superior technical features and exceptional modern design. For those who prefer floor drains, or who for various reasons can not use shower drains, then these stainless steel floor drains are a clear choice.



### Luxury in stainless steel

ALCA stainless steel floor drains are designed and developed to meet the high demands of modern bathroom design. Visible components are produced by precision manufacturing techniques from a single piece of stainless steel, ensuring a clean finish with no imperfections. This design provides a compact unit suitable for all kinds of modern bathrooms. Stainless steel floor drains combine highly functional technical elements with clean design.



### Alternative grid designs

You can choose from three types of grid for floor drains and simply influence their final appearance. The most popular option is the use of floor drain grid into which you can embed tiles and let the drain naturally blend with the bathroom floor. The second type is a full grid made of one solid piece of stainless steel, which in conjunction with the drain's body, has a very compact appearance. The third option is a perforated stainless steel grid, produced by precision water jet cutting ensuring a perfect fit into the body of the drain.



### Three height options of odour traps

Three types of odour traps can cope with any variation in mounting height. The extra-low option of trap, with a height of 55 mm, permits use in areas with minimum floor height whilst maintaining required water flow rate. All three types of traps are designed to be easily cleaned without chemicals and do not require complicated installation and maintenance.

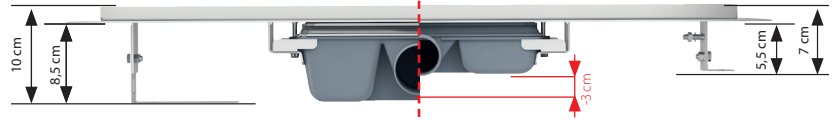


# SPECIFICATIONS OF SHOWER DRAINS ALCA

Low installation height

**Low installation height:**

from 55 mm for drains with an outlet pipe diameter of 40 mm (suitable for renovations).  
from 85 mm for drains with an outlet pipe diameter of 50 mm (suitable for new buildings).



25 Year Warranty

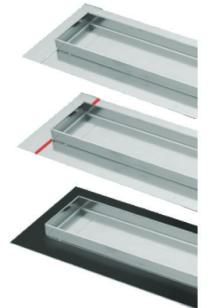
**Material used:** Stainless Steel DIN 1.4301.

**Treatments of materials employed:**

Pickling and passivation, electrochemical polishing.

**Protection against dirt during installation:**

The collar and trap are protected by foil, and the channel itself by a styrofoam insert.



High flow rate (up to 68 l/min)

**Maximum water flow rate:**

68 l/min for drains with an outlet pipe diameter of 50 mm.  
44 l/min for drains with an outlet pipe diameter of 40 mm.

Two traps in one: The high flow rate achieved by the double compartment trap system.

**Standard:** EN 1253-1

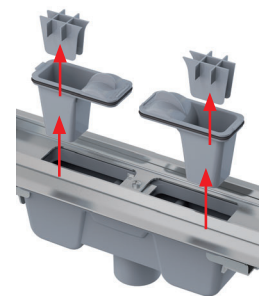


Completely cleanable trap

**Material:** polypropylene

**Construction:** 2 outlet compartments, 2 removable inlet parts and 2 protective grid traps.

**Cleanability:** The protective grid trap will catch most of the dirt, but by removing it and the inlet part you can clean the drain all the way to the waste pipe.



Combined dry odour trap

**Optional accessories for stainless steel shower drains**

For areas such as recreation facilities, utility rooms and premises with seasonal use the problem associated with the possibility of drying out of the water trap can be eliminated by installation of a combined odour trap.

■ **P095** for stainless steel shower drains APZ1, APZ4, APZ5, APZ6, APZ15, APZ16, APZ11, APZ1001, APZ1004, APZ1006, APZ1016, ARZ1



If there is no water flow through the waste, the flaps remain closed and even when the water seal dries out they still prevent odours rising from the sewer.



In normal use the flaps open and close to allow the water to drain out.

■ **P143, P144, P145** for stainless steel shower drain APZ13, APZ23







Visit us on the Web



Complete package includes all accessories

**Complete package includes all accessories:**

- Shower drain pre-assembled with a trap
- Installation set (bolts, plugs)
- Waterproofing tape
- Protective foil covering for the collar and inlet pipe, and protective insert for drainage channel



Tailor made solutions available

**Length range:** 300–2,200 mm for a single section. Lengths greater than 2,200 mm can be achieved by connecting sections as required.

**Height variants:** Different edge heights and depths of the drainage channel can be supplied on request.

**Odour trap:** Can be positioned wherever the customer wishes. Depending on the water flow, more than one trap can be used in a single drain.

**Material:** Standard stainless steel DIN 1.4301. For aggressive environments (swimming pools) stainless steel DIN 1.4404.

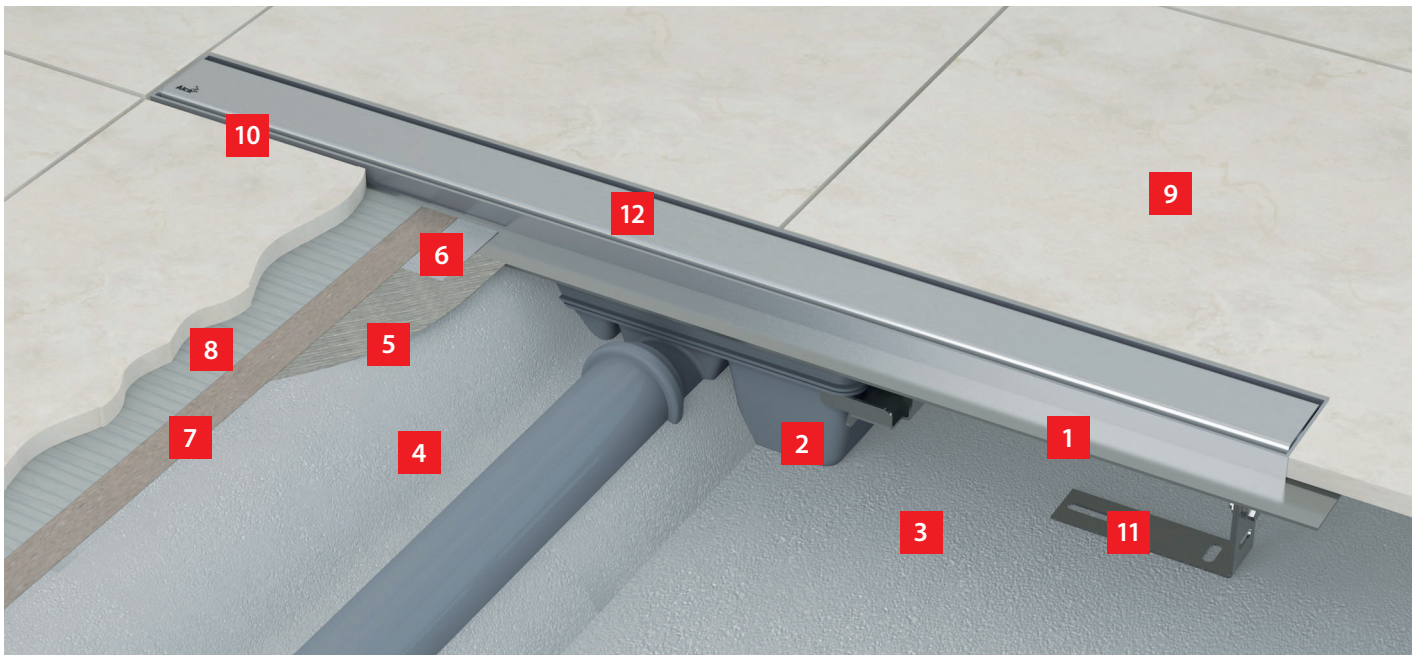


Maintenance

**Grid maintenance**

To maintain a perfect look, clean the system at least once a month. Do not use sharp objects or abrasives for cleaning as that can damage the surface of the grid.

Video tutorial on [www.alcaplast.com](http://www.alcaplast.com)



- 1 shower drain ALCA
- 2 odour trap
- 3 foundation slab

- 4 concrete screed
- 5 primer coat
- 6 waterproofing tape

- 7 waterproofing material
- 8 adhesive
- 9 tiles

- 10 flexible filler
- 11 installation legs
- 12 grid ALCA

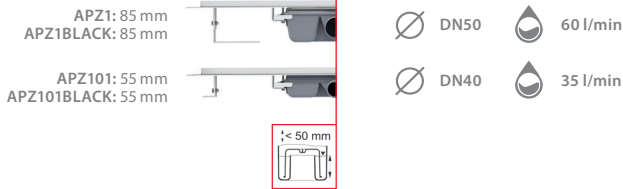
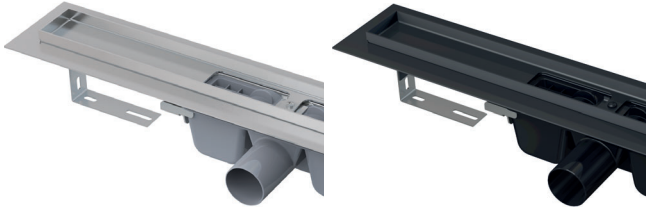


# STAINLESS STEEL LINEAR SHOWER DRAINS

## For perforated grids

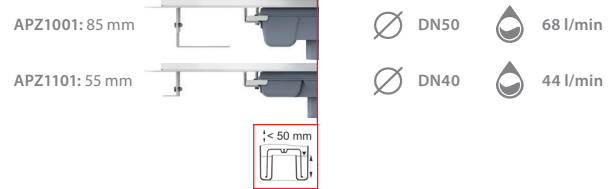
### APZ1, APZ101 Low, APZ1BLACK, APZ101BLACK Low

Shower drain with an edge for perforated grids  
(300, 550, 650, 750, 850, 950, 1050, 1150, 1450 mm)  
Atypical lengths upon request.



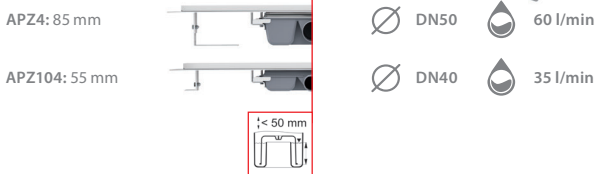
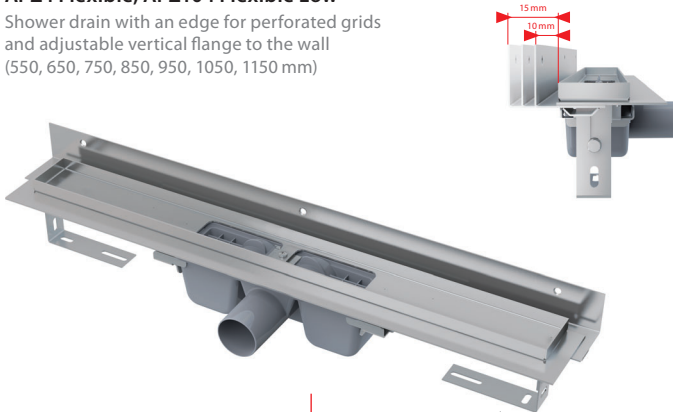
### APZ1001, APZ1101 Low

Shower drain with an edge for perforated grids, straight outlet  
(300, 550, 650, 750, 850, 950, 1050, 1150, 1450 mm)  
Atypical lengths upon request.



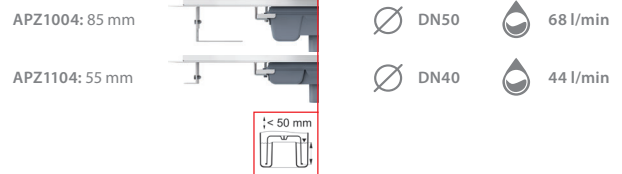
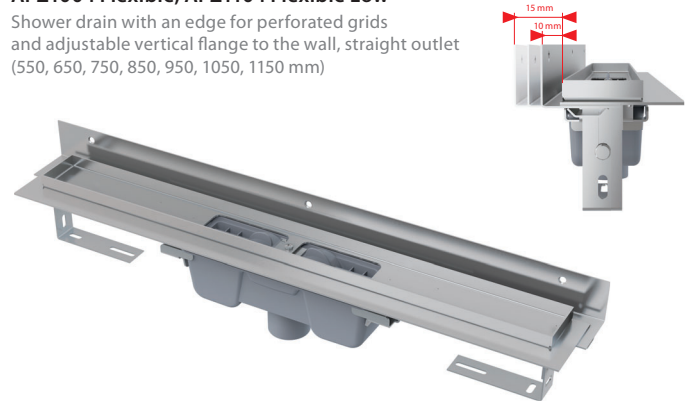
### APZ4 Flexible, APZ104 Flexible Low

Shower drain with an edge for perforated grids  
and adjustable vertical flange to the wall  
(550, 650, 750, 850, 950, 1050, 1150 mm)



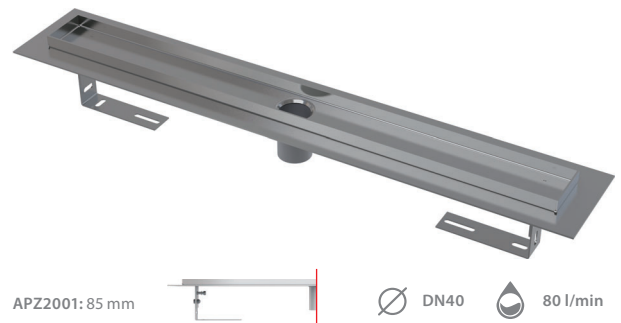
### APZ1004 Flexible, APZ1104 Flexible Low

Shower drain with an edge for perforated grids  
and adjustable vertical flange to the wall, straight outlet  
(550, 650, 750, 850, 950, 1050, 1150 mm)



### APZ2001

Shower drain with an edge for perforated grids, without odour  
trap (300, 550, 650, 750, 850, 950, 1050, 1150 mm)  
Atypical lengths upon request.



#### LINE



#### HOPE



#### PURE



#### PURE BLACK



#### BUBLE



#### CUBE



#### DREAM







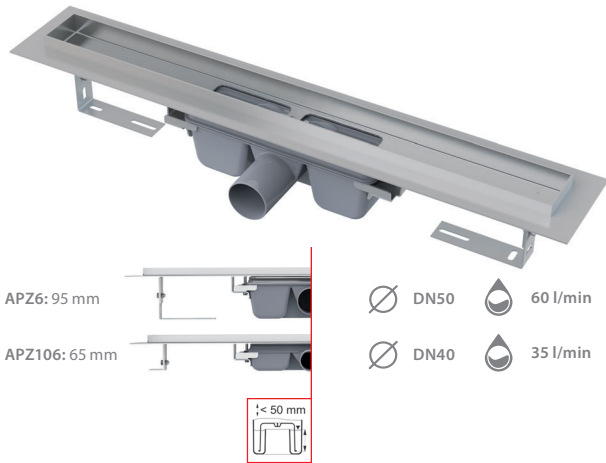
Visit us on the Web



### For full grids

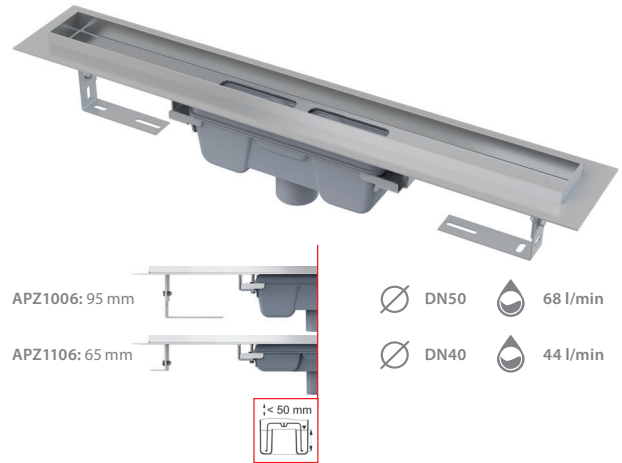
#### APZ6 Professional, APZ106 Professional Low

Shower drain with an edge for full grids  
(300, 550, 650, 750, 850, 950, 1050, 1150 mm)  
Atypical lengths upon request.



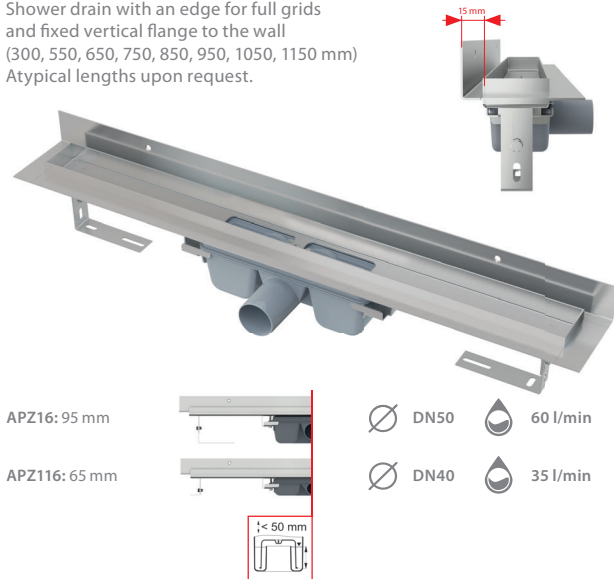
#### APZ1006 Professional, APZ1106 Professional Low

Shower drain with an edge for full grids, straight outlet  
(300, 550, 650, 750, 850, 950, 1050, 1150 mm)  
Atypical lengths upon request.



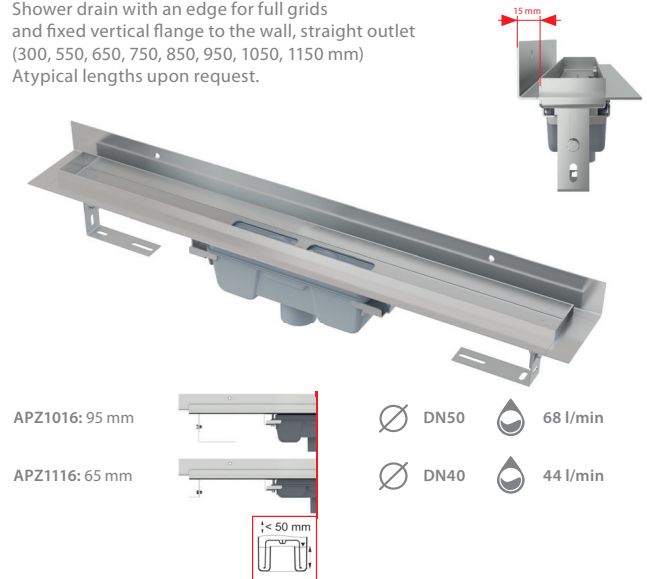
#### APZ16 Wall, APZ116 Wall Low

Shower drain with an edge for full grids  
and fixed vertical flange to the wall  
(300, 550, 650, 750, 850, 950, 1050, 1150 mm)  
Atypical lengths upon request.



#### APZ1016 Wall, APZ1116 Wall Low

Shower drain with an edge for full grids  
and fixed vertical flange to the wall, straight outlet  
(300, 550, 650, 750, 850, 950, 1050, 1150 mm)  
Atypical lengths upon request.



#### **N** APZ15 Marble, APZ115 Marble Low

Shower drain without edge with grid for embedding tiles  
(300, 550, 650, 750, 850, 950, 1050, 1150 mm)  
Atypical lengths upon request.

#### GL1200



#### GL1202



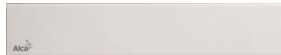
#### GL1204



#### FLOOR



#### DESIGN



#### DESIGN-ANTIC



#### POSH



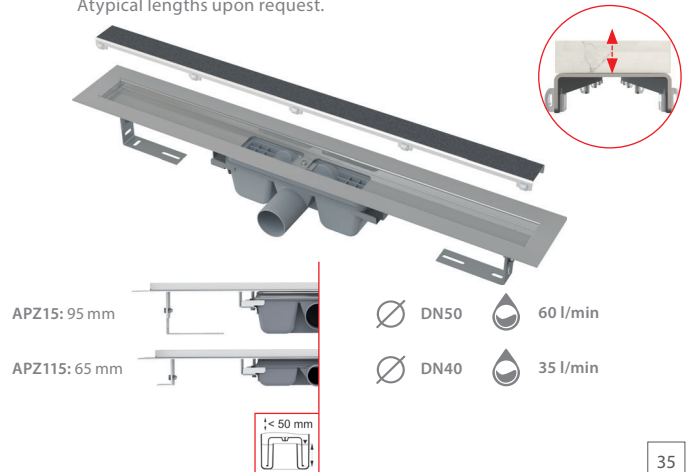
#### GAP



#### DESIGN



#### POSH





# STAINLESS STEEL LINEAR SHOWER DRAINS

## Stainless steel shower drains APZ13-DOUBLE9 Fit and Go, APZ23-DOUBLE9 Fit and Go Wall

### APZ13-DOUBLE9 Fit and Go

Shower drain (750, 850, 950 mm)



#### DOUBLE



Only in set Fit and Go

∅ DN50 50 l/min



ALL IN PACKAGE

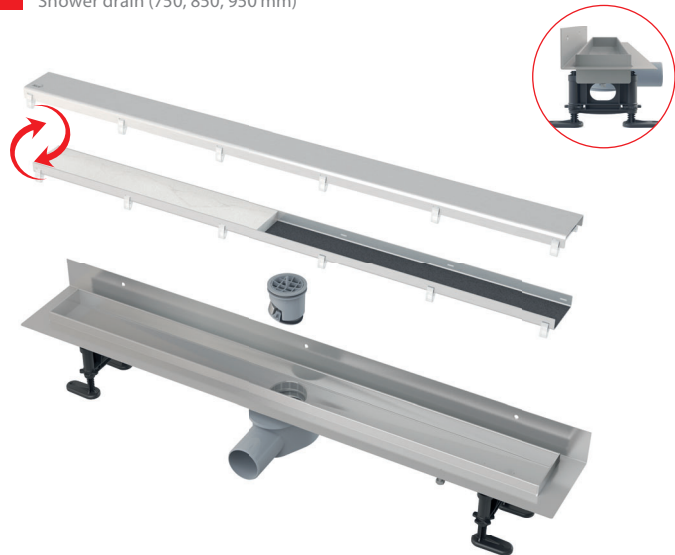
#### Package content

- shower drain
- two-sided grid DOUBLE (full grid or grid for embedding tiles)
- waterproofing tape in the length of the drain
- odour trap APZ-S9
- combined odour trap SMART
- anchoring kit (screws, dowels)
- installation legs
- dismantling hook



### APZ23-DOUBLE9 Fit and Go Wall

Shower drain (750, 850, 950 mm)



#### DOUBLE



Only in set Fit and Go

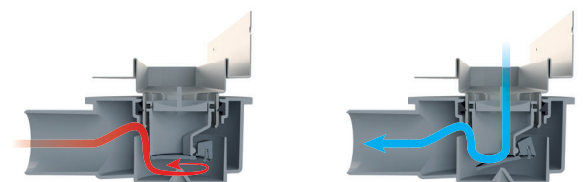
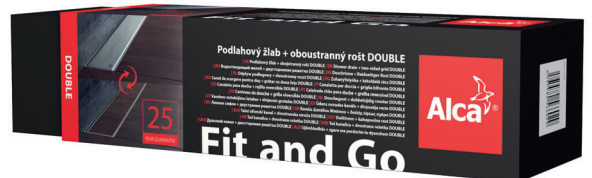
∅ DN50 50 l/min



ALL IN PACKAGE

#### Package content

- shower drain to wall
- two-sided grid DOUBLE (full grid or grid for embedding tiles)
- waterproofing tape in the length of the drain
- odour trap APZ-S9
- combined odour trap SMART
- anchoring kit (screws, dowels)
- installation legs
- dismantling hook





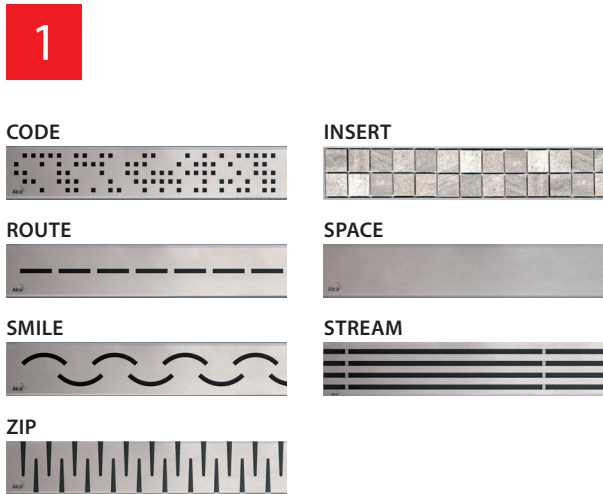
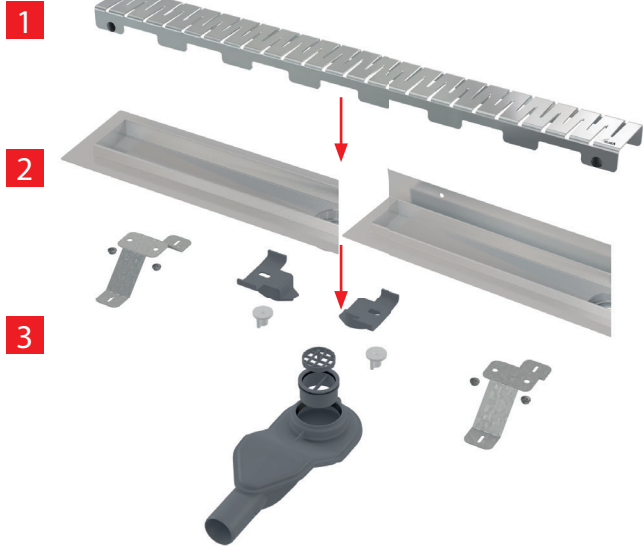


Visit us on the Web



## Stainless steel shower drains APZ13 Modular, APZ23 Modular Wall

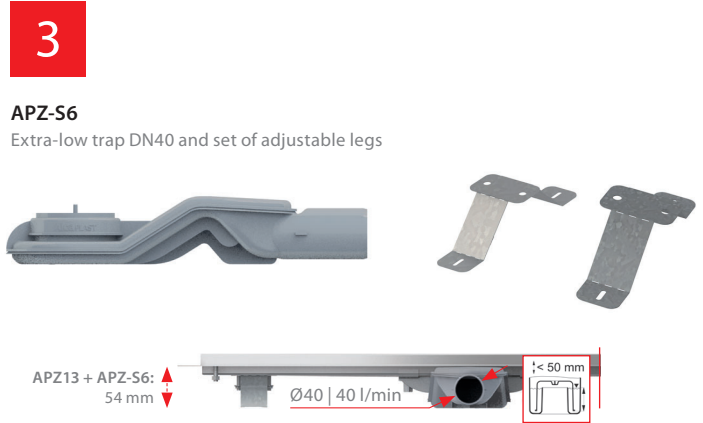
### Configuration of shower drain APZ13 Modular, APZ23 Modular Wall



**2** **APZ13 Modular**  
Shower drain (750, 850, 950 mm)



**APZ23 Modular Wall**  
Shower drain (750, 850, 950 mm)



### Optional accessories

**P143**  
Combined odour trap



**P144**  
Combined odour trap



**P145**  
Combined odour trap





# PLASTIC LINEAR SHOWER DRAINS

## For perforated grids

### APZ8 Simple, APZ9 Simple, APZ10 Simple

Shower drain with an edge for perforated grids (550, 650, 750, 850, 950 mm)



#### Package content

- linear shower drain
- grid
- waterproofing tape at the length of the linear drain
- combined odour trap SMART
- anchoring kit (screws, dowels)
- installation legs
- dismantling hook



#### APZ8 Simple



Grid is included in the packaging

#### APZ9 Simple



Grid is included in the packaging

#### APZ10 Simple



Grid is included in the packaging

## For perforated grids

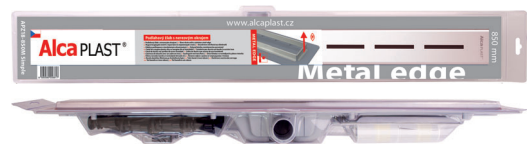
### APZ18 Simple

Shower drain with a stainless steel edge for perforated grids (550, 650, 750, 850, 950 mm)



#### Package content

- linear shower drain
- grid
- waterproofing tape at the length of the linear drain
- combined odour trap SMART
- anchoring kit (screws, dowels)
- installation legs
- dismantling hook



#### APZ18 Simple



Grid is included in the packaging





Visit us on the Web



### For perforated grids, full grids or embedding tiles

#### APZ12 Optimal

Shower drain with an edge for perforated grids or tile embedding (750, 850, 950, 1050 mm)



APZ12: 85 mm



DN50

63 l/min

#### APZ2012 Optimal

Shower drain with an edge for perforated grids or tile embedding, without odour trap (550, 650, 750, 850 mm)



APZ2012: 70 mm

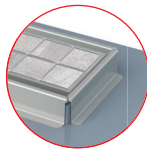


DN50

80 l/min

#### APZ22 Optimal

Shower drain with a stainless steel edge for perforated grids or tile embedding (750, 850, 950 mm)



APZ22: 85 mm

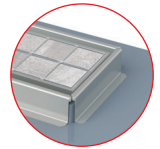


DN50

63 l/min

#### APZ2022 Optimal

Shower drain with a stainless steel edge for perforated grids or tile embedding, without odour trap (550, 650, 750, 850 mm)



APZ2022: 70 mm



DN50

80 l/min

#### LINE



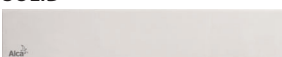
#### PURE



#### CUBE



#### SOLID



#### HOPE



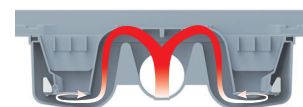
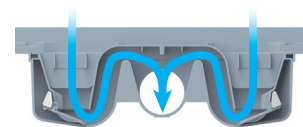
#### BUBLE



#### DREAM



#### TILE





# STAINLESS STEEL LINEAR SHOWER DRAINS

## Waste system in wall

### APZ5 Spa

Waste system for installation in walls  
(650, 750, 850, 950, 1050 mm)



APZ5: 100 mm

∅ DN50 60 l/min

### APZ5-EDEN



### APZ5-SHADE



### APZ5-TWIN



## ALCA LIGHT

APZ5 Spa backlight

Length varieties of backlighting for APZ5 Spa shower drains

Lighting colour	Length of the drain (mm)	650	750	850	950	1 050
White	Code of backlighting in the length of the drain	AEZ 120-650	AEZ 120-750	AEZ 120-850	AEZ 120-950	AEZ 120-1050
Blue		AEZ 121-650	AEZ 121-750	AEZ 121-850	AEZ 121-950	AEZ 121-1050
Green		AEZ 122-650	AEZ 122-750	AEZ 122-850	AEZ 122-950	AEZ 122-1050
Red		AEZ 123-650	AEZ 123-750	AEZ 123-850	AEZ 123-950	AEZ 123-1050
Rainbow		AEZ 124-650	AEZ 124-750	AEZ 124-850	AEZ 124-950	AEZ 124-1050

Source for backlighting APZ5 Spa – AEZ 320, AEZ 311, AEZ 310

## Antivandal

### APZ11 Antivandal, APZ111 Antivandal Low

Shower drain Antivandal with grid  
(300, 550, 650, 750, 850, 950, 1050, 1150 mm)



APZ11: 85 mm

∅ DN50 60 l/min

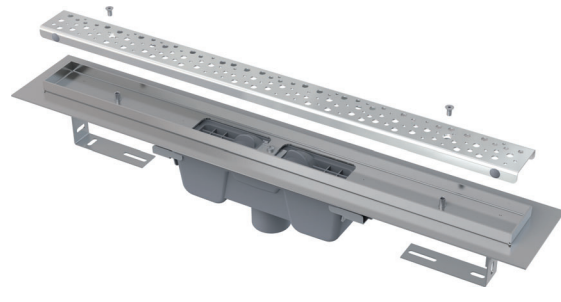
APZ111: 55 mm

∅ DN40 35 l/min



### APZ1011 Antivandal, APZ1111 Antivandal Low

Shower drain Antivandal with grid, straight outlet  
(300, 550, 650, 750, 850, 950, 1050, 1150 mm)



APZ1011: 85 mm

∅ DN50 68 l/min

APZ1111: 55 mm

∅ DN40 44 l/min



### BUBLE



Grid is included in the packaging





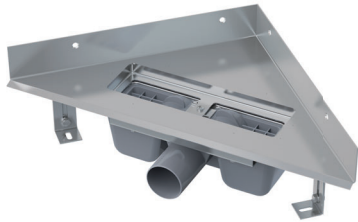
Visit us on the Web



### Stainless steel corner shower drain

#### ARZ1

Corner shower drain without an edge for perforated grids

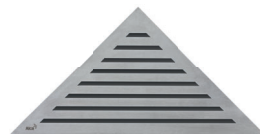


ARZ1: 100 mm

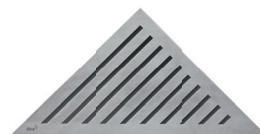


DN50

60 l/min



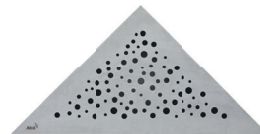
LIFE



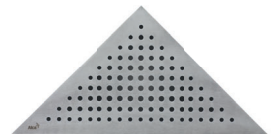
GRACE



TIME



VIEW



TRITON

### Stainless steel floor drains

#### APV110

Floor drain stainless steel extra-low 130x130 mm side outlet, without grid, wet odour trap



APV110: 55 mm



DN40

40 l/min



#### APV120

Floor drain stainless steel low 130x130 mm side outlet, without grid, wet odour trap



APV120: 81 mm



DN50

50 l/min



#### APV130

Floor drain stainless steel 130x130 mm side outlet, without grid, wet odour trap



APV130: 105 mm



DN50

58 l/min

#### MPV011



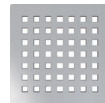
#### MPV012



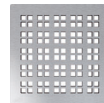
#### MPV013



#### MPV014



#### MPV015

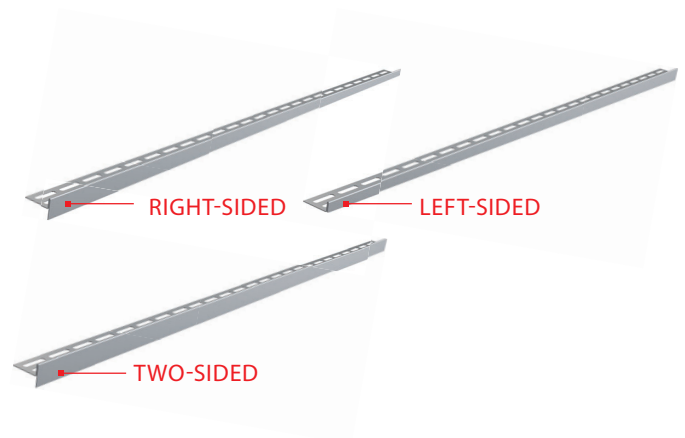


#### MPV016



### Stainless steel strip for sloped floors in showers

Code	Flange height	Length (mm)	Type	Version
APZ 901M/1000	12	1000	left	matt
APZ 902M/1000	12	1000	right	matt
APZ 903M/1000	14	1000	left	matt
APZ 904M/1000	14	1000	right	matt
APZ 901M/1200	12	1200	left	matt
APZ 902M/1200	12	1200	right	matt
APZ 903M/1200	14	1200	left	matt
APZ 904M/1200	14	1200	right	matt
APZ 905M/1000	12	1000	double-sided	matt
APZ 905M/1200	12	1200	double-sided	matt
APZ 906M/1000	14	1000	double-sided	matt
APZ 906M/1200	14	1200	double-sided	matt







Visit us on the Web



### Company foundation

Czech family business which was founded in 1998. At that time, we produced only two products – fill and flushing valve. The current wide range of Alcaplast products has become the best selling in their field in many countries all over the world.



### Czech 100 Best Companies

For the third consecutive year Alcaplast defended its position among the hundred most successful Czech companies. In 2019 finished an excellent 36th place.



### Czech product from Czech engineers

Quality, technical solutions, innovation, design – these are the primary characteristics of Alcaplast products. The high level of professionalism and skill of our Czech technicians is based on the historical tradition of Czech industry, which is over 100 years old, and renowned worldwide for its top quality products that are modern and extremely reliable.

### ALCA – a premium brand

Premium brand ALCA represents a number of design products thoroughly elaborated with high utility value with Alcaplast being the creator of new trends in sanitary technology. Our cooperation with leading Czech designers in creating new product lines has won us several prestigious awards.



### Flush plates NIGHT LIGHT and FLAT – world design

Alcaplast is a trendsetter in the world of design. This is confirmed by two awards, which the company received in recent years. Prestigious iF Design Award 2018 recognized the novelty – touch-free flush plate NIGHT LIGHT – the winner in the Product category of the Bathrooms section. Their predecessor, the collection of flush plates FLAT, was acknowledged by the jury at the Red Dot Award product design competition in 2014.



reddot award 2014 winner



### Alcaplast Academy

The Alcaplast Academy was established in 2009. The training center was introduced to support education of Alcaplast customers based on the presentation and direct professional training associated with our products. Alcaplast Academy was ranked second in the category of training centers in "Business Project 2010". Over 3,000 professionals pass through our training every year. They are a guarantee of professional installation and technical support in the market.





## Alcaplast International

Branches:

■ Slovakia ■ Hungary ■ Poland ■ Romania  
■ Russia ■ Ukraine ■ Belarus ■ Georgia

We design our products so that they can simplify life across many countries. They are universal and they meet demanding international standards. Alcaplast distribution warehouses and sales teams in countries outside of the Czech Republic provide flexible communication and service to our customers.

## EY Entrepreneur of the Year 2018

Succeeding in such a competitive environment is not easy. The founders of Alcaplast company won the competition, where more than 100 entrepreneurs competed for victory.

*"We feel pride, humility and very much appreciate the award. We were in a great company among amazing and inspiring people. It is good that there is competition, which has the same criteria in all the countries, expands awareness of our business story and motivates future businessmen and businesswomen."*

**Radka Prokopová and František Fabičovic**  
husband and wife and Alcaplast company founders



2018 Award Winner

WE LOVE ELEGANT DESIGN  
AND INNOVATIONS.  
TRADITION IS IN OUR BLOOD  
AND WE INSIST ON QUALITY.  
ALL THIS CREATES ALCAPLAST ■



# SHOWER DRAINS .

## Alca PLAST®

CZECH REPUBLIC

Alca plast, s. r. o.  
Bratislavská 2846, 690 02 Břeclav  
tel.: +420 519 821 117 – Sales Dept CZ  
tel.: +420 519 821 041 – Export Dept  
fax: +420 519 821 083  
e-mail: [alcaplast@alcaplast.com](mailto:alcaplast@alcaplast.com)  
[www.alcaplast.com](http://www.alcaplast.com)

---

The Alcaplast team of specialists is always on hand to help with design, installation and quote project prices.

Czech product  
ISO 9001:2015

Edition 1/2020 EN, © Alca plast, s. r. o.  
Changes in dimensions and design reserved.



EN 55014-1, EN 55014-2,  
EN 61000-6, EN 61000-4  
2011/65/EU including amendments  
EN 1253-1, 2014/30/EU including amendments